

DESCRIPTION

AMC MODEL SW-2181-2A-STO2 OPTIONS: 303F, HPR10WPEAK, HS10NS, 01W IS A HIGH POWER REFLECTIVE SINGLE POLE TWO THROW SWITCH MODULE WITH AN INTEGRAL BALANCED ECL DRIVER, DESIGNED FOR ULTRA FAST SWITCHING APPLICATIONS BETWEEN THE 3.1 TO 3.5 GHz FREQUENCY RANGE.

SPECIFICATIONS

- FREQUENCY RANGE: 3.1 TO 3.5 GHz
- INSERTION LOSS: 2.0 dB MAXIMUM
- ISOLATION: 50 dB MINIMUM
- VSWR: 2.1:1
- RISE TIME: 5 nSec MAXIMUM
- FALL TIME: 5 nSec MAXIMUM
- DELAY ON: 10 nSec MAXIMUM
- DELAY OFF: 10 nSec MAXIMUM
- POWER HANDLING: 10 WATTS PEAK POWER
- AVERAGE POWER: 100 mW
- CONTROL: BALANCED ECL PAIRS (+C, -C)
(100Ω INPUT IMPEDANCE)
- POWER SUPPLY: +5V ±5% @ 50 mA MAXIMUM
-5V ±5% @ 50 mA MAXIMUM
- CONNECTORS:
 - RF: SMA FEMALE
 - POWER: SOLDER PIN
 - CONTROL: SOLDER PIN
- SIZE: 1.20" (L) x 1.00" (W) x 0.50" (H)
- WEIGHT: 1.5 OUNCE TYPICAL

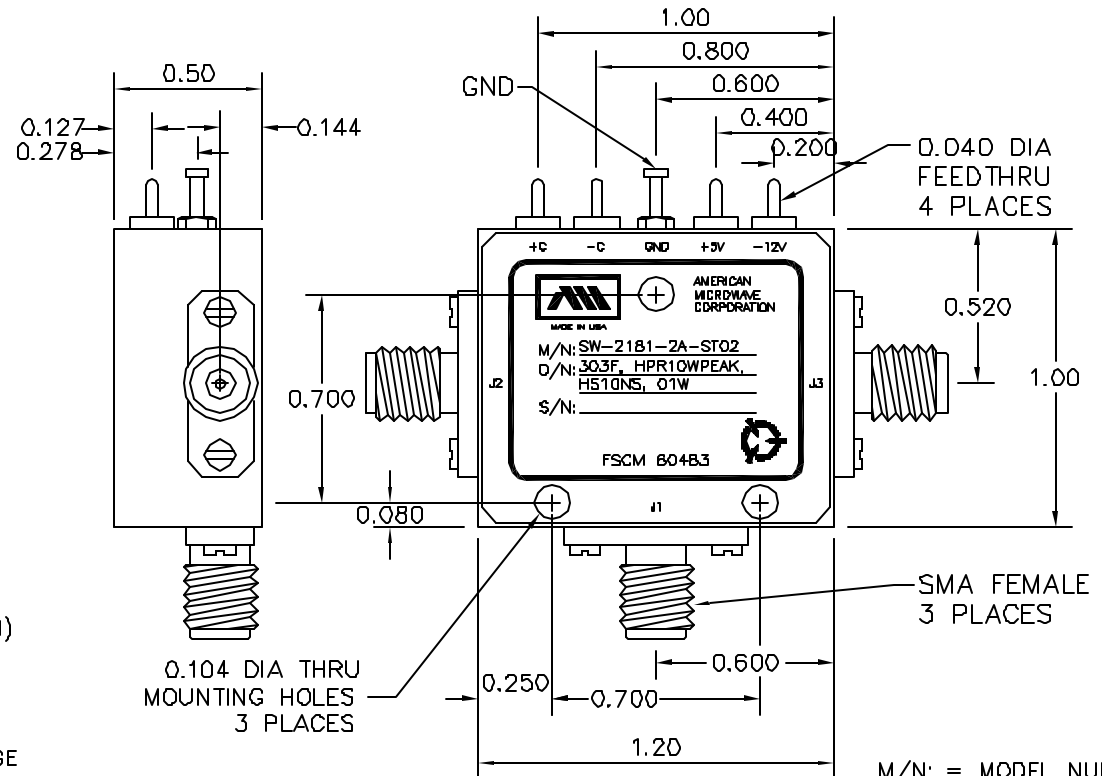
OPTIONS:

- 303F: 3.1 TO 3.5 GHz FREQUENCY RANGE
- HPR10WPEAK: PEAK POWER 10 WATTS
- HS10NS: HIGH SPEED 10 nSec
- 01W: AVERAGE POWER OF 100 mW

ENVIRONMENTAL RATINGS:

- TEMPERATURE: -55°C TO +85°C (OPERATING)
-65°C TO +125°C (STORAGE)
- HUMIDITY: MIL-STD-202F, METHOD 103B COND. B
- SHOCK: MIL-STD-202F, METHOD 213B COND. B
- VIBRATION: MIL-STD-202F, METHOD 204D COND. B
- ALTITUDE: MIL-STD-202F, METHOD 105C COND. B
- TEMPERATURE CYCLE: MIL-STD-202F, METHOD 107D COND. A

NOTE: SPECIFICATIONS WILL VARY OVER OPERATING TEMPERATURE
NOTE: THE ABOVE SPECIFICATIONS ARE SUBJECT TO CHANGE OR REVISION



ECL LOGIC TABLE		
C+	C-	RF PATH
1(-0.9V)	0(-1.75V)	J1-J2
0(-1.75V)	1(-0.9V)	J1-J3

ALL DIMENSIONS ARE IN INCHES
TOLERANCES:
XXX ±0.020
XXX ±0.010

REVISIONS				
ZONE	REV.	DESCRIPTION	DATE	APPROVED
	-	ORIGINAL RELEASE JOB# 510240	11/1/05	

M/N: = MODEL NUMBER
O/N: = OPTION NUMBER
S/N: = SERIAL NUMBER
P/N: = PART NUMBER

AMERICAN MICROWAVE CORPORATION

7311-G GROVE ROAD
FREDERICK, MARYLAND 21704 USA
TEL: 301-662-4700 FAX: 301-662-4938
WEBSITE: www.americanmicrowavecorp.com
E-MAIL: sales@americanmicrowavecorp.com
ISO 9001:2000 CERTIFIED

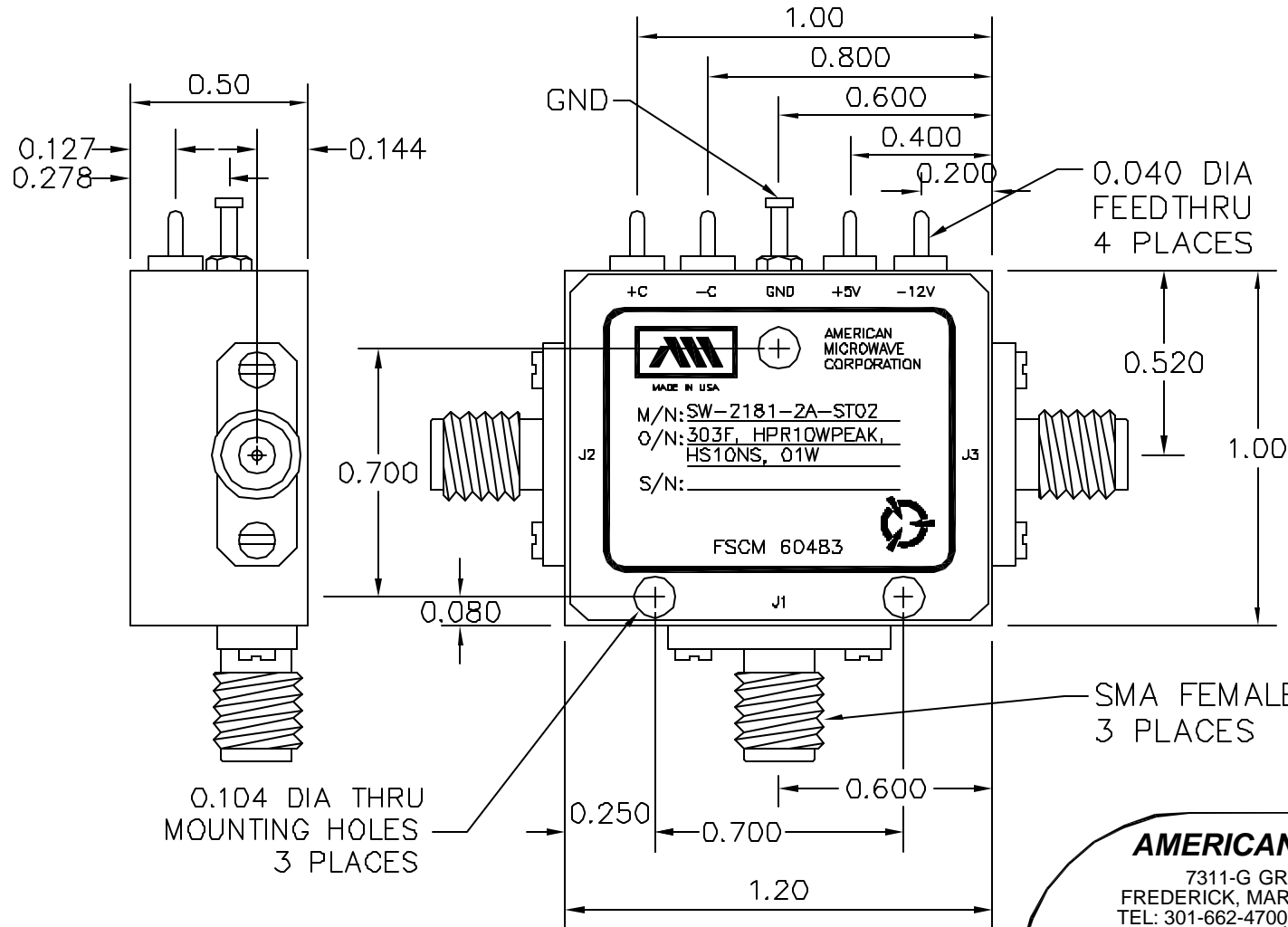


APPROVALS		DATE	TITLE	
DRAWN <i>FDS</i>		11/1/05	PRODUCT FEATURE SW-2181-2A-STO2	
CHECKED			OPTION: 303F, HPR10WPEAK, HS10NS, 01W 3.1-3.5 GHz, SINGLE POLE TWO THROW SWITCH	
ISSUED			SIZE A	FSCM NO. 60483
			DWG NO. 100-7542	REV. -
SCALE N:S			SHEET 1 OF 4	

DESCRIPTION

AMC MODEL SW-2181-2A-ST02 OPTIONS: 303F, HPR10WPEAK, HS10NS, 01W IS A HIGH POWER REFLECTIVE SINGLE POLE TWO THROW SWITCH MODULE WITH AN INTEGRAL BALANCED ECL DRIVER, DESIGNED FOR ULTRA FAST SWITCHING APPLICATIONS BETWEEN THE 3.1 TO 3.5 GHz FREQUENCY RANGE.

REVISIONS				
ZONE	REV.	DESCRIPTION	DATE	APPROVED
	-	ORIGINAL RELEASE JOB# 510240	11/1/05	



MECHANICAL OUTLINE

ECL LOGIC TABLE		
C+	C-	RF PATH
1(-0.9V)	0(-1.75V)	J1-J2
0(-1.75V)	1(-0.9V)	J1-J3

M/N: = MODEL NUMBER
O/N: = OPTION NUMBER
S/N: = SERIAL NUMBER
P/N: = PART NUMBER

ALL DIMENSIONS ARE IN INCHES
TOLERANCES:
X.XX ±0.020
X.XXX ±0.010

AMERICAN MICROWAVE CORPORATION

7311-G GROVE ROAD
FREDERICK, MARYLAND 21704 USA
TEL: 301-662-4700 FAX: 301-662-4938
WEBSITE: www.americanmicrowavecorp.com
E-MAIL: sales@americanmicrowavecorp.com
ISO 9001:2000 CERTIFIED



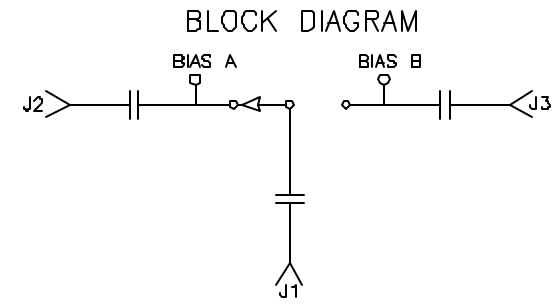
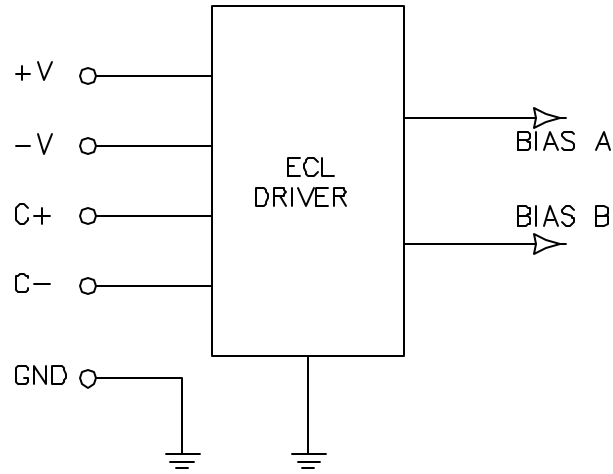
APPROVALS		DATE	TITLE		REV.
DRAWN	<i>FDS</i>	11/1/05	MECHANICAL OUTLINE SW-2181-2A-ST02 OPTION: 303F, HPR10WPEAK, HS10NS, 01W 3.1-3.5 GHz, SINGLE POLE TWO THROW SWITCH		-
CHECKED			SIZE	FSCM NO.	DWG NO.
ISSUED			A	60483	100-7542
SCALE N:S			SHEET 2 OF 4		

DESCRIPTION

AMC MODEL SW-2181-2A-ST02 OPTIONS: 303F, HPR10WPEAK, HS10NS, 01W IS A HIGH POWER REFLECTIVE SINGLE POLE TWO THROW SWITCH MODULE WITH AN INTEGRAL BALANCED ECL DRIVER, DESIGNED FOR ULTRA FAST SWITCHING APPLICATIONS BETWEEN THE 3.1 TO 3.5 GHz FREQUENCY RANGE.

REVISIONS				
ZONE	REV.	DESCRIPTION	DATE	APPROVED
	-	ORIGINAL RELEASE JOB# 510240	11/1/05	

FUNCTIONAL BLOCK DIAGRAM



AMERICAN MICROWAVE CORPORATION

7311-G GROVE ROAD
 FREDERICK, MARYLAND 21704 USA
 TEL: 301-662-4700 FAX: 301-662-4938
 WEBSITE: www.americanmicrowavecorp.com
 E-MAIL: sales@americanmicrowavecorp.com
 ISO 9001:2000 CERTIFIED



APPROVALS		DATE	TITLE	
DRAWN <i>FDS</i>		11/1/05	FUNCTIONAL BLOCK DIAGRAM SW-2181-2A-ST02	
CHECKED			OPTION: 303F, HPR10WPEAK, HS10NS, 01W 3.1-3.5 GHz, SINGLE POLE TWO THROW SWITCH	
ISSUED			SIZE A	FWM NO. 60483
			DWG NO. 100-7542	
			SCALE N:S	SHEET 3 OF 4